

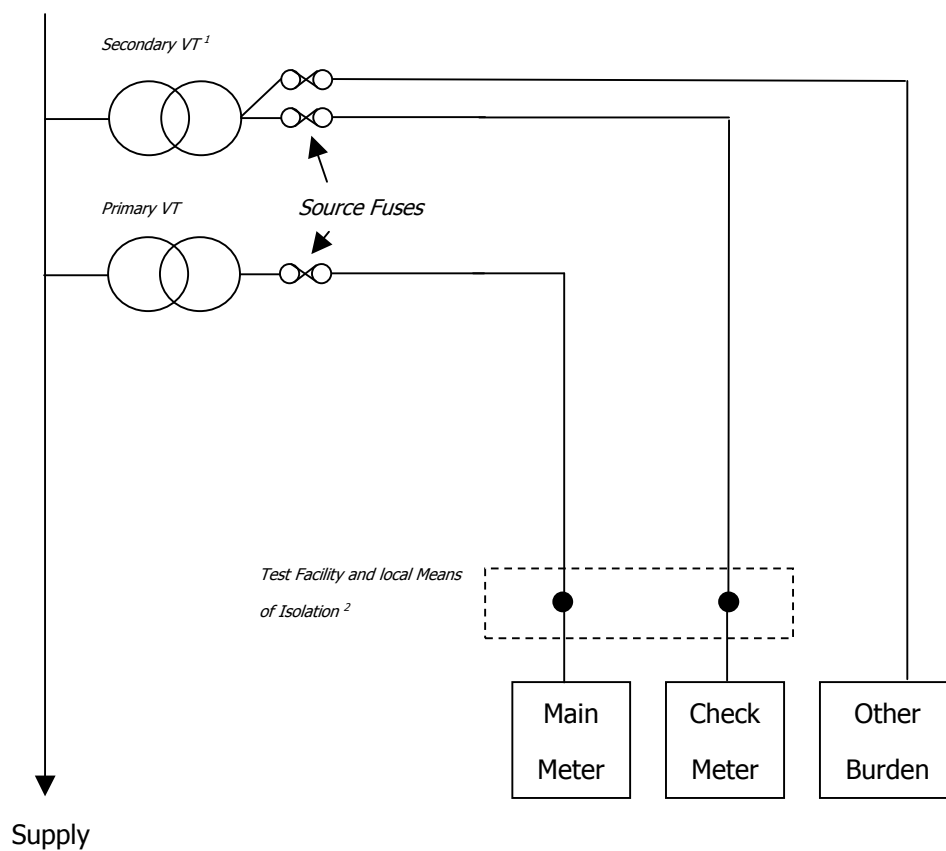
Appendix C Typical Fusing Arrangements

CoP 1 and 2 Review

CoP1

The following diagrams are non exhaustive and are provided for reference which show typical arrangements for the fusing requirements of this Code of Practice.

Fusing arrangements for cable runs of less than 30 meters distance between source fusing and local means of isolation.



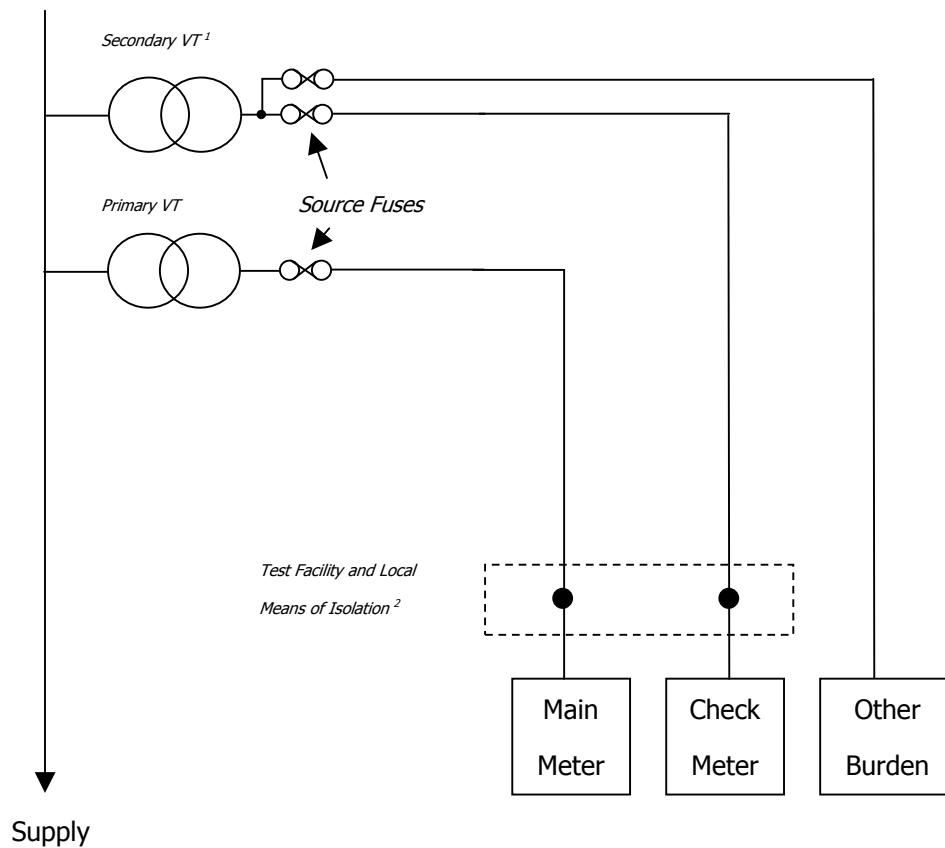
¹ Check Meters and other burden may be supplied via an additional secondary winding of the Primary VT.

² Isolation may be provided by the use of solid links or fuses and may be located either side of the test terminal block. Where fuses are to be used, the additional burden shall be accounted for.

Note: The boundary between Meter Operator Equipment and the Transmission/Distribution System Operator is between the local means of isolation and the testing facilities.

Appendix C Typical Fusing Arrangements

Fusing arrangements for cable runs of more than 30 meters distance between source fusing and local means of isolation.



¹ Check Meters and other burden may be supplied via an additional secondary winding of the Primary VT.

² Isolation may be provided by the use of solid links or fuses and may be located either side of the test terminal block. Where fuses are to be used, the additional burden shall be accounted for.

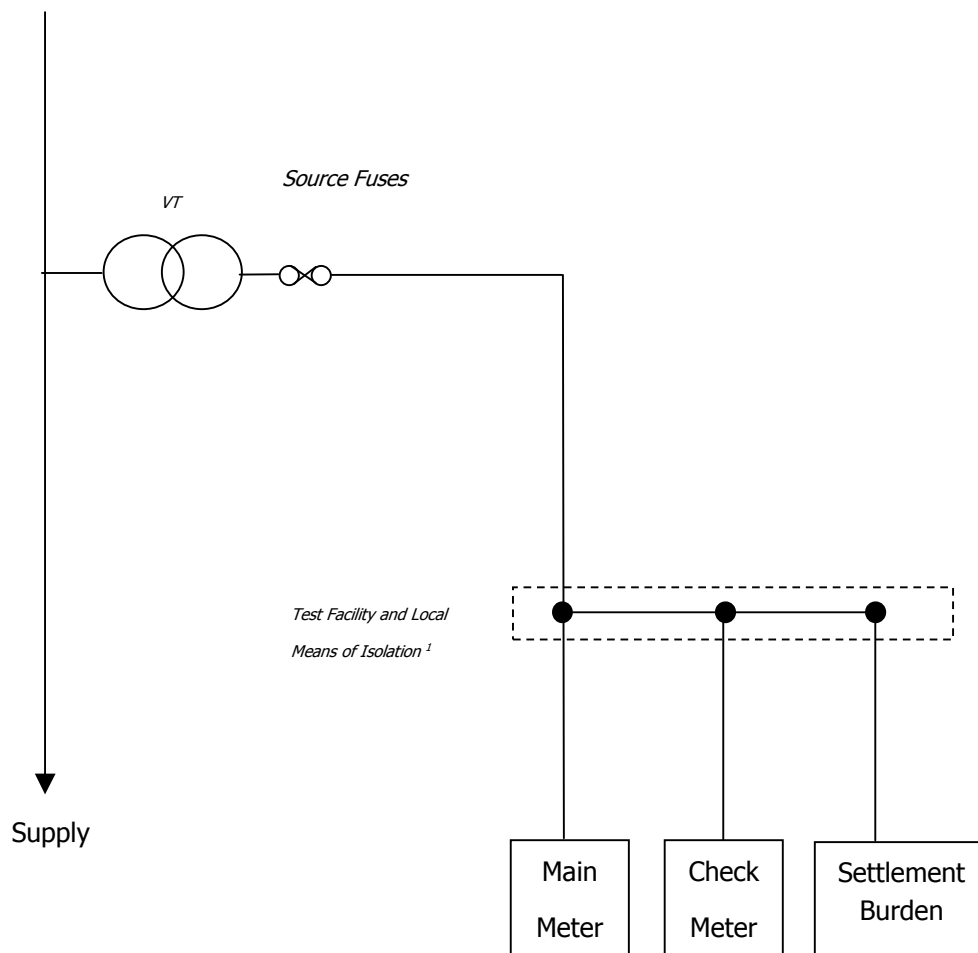
Note: The boundary between Meter Operator Equipment and the Transmission/Distribution System Operator is between the local means of isolation and the testing facilities.

Appendix C Typical Fusing Arrangements

CoP2

The following diagrams are non exhaustive and are provided for reference which shows arrangements for the fusing requirements of this Code of Practice.

Fusing arrangements for cable runs of less than 30 meters distance between source fusing and local means of isolation.

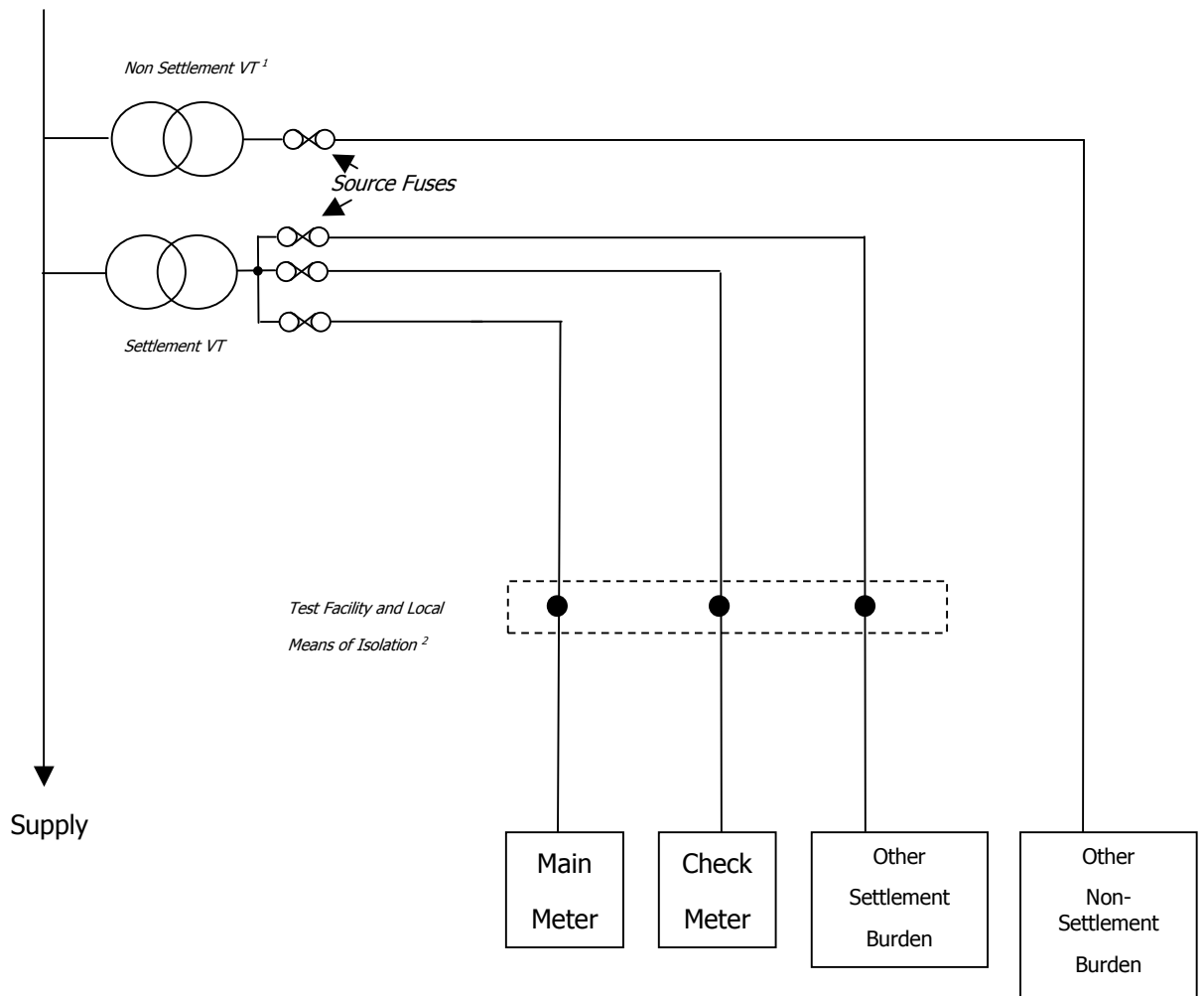


¹ Isolation may be provided by the use of solid links or fuses and may be placed on either side of the test terminal block. Where fuses are to be used, the additional burden shall be accounted for.

Note: The boundary between Meter Operator Equipment and the Transmission/Distribution System Operator is between the local means of isolation and the testing facilities.

Appendix C Typical Fusing Arrangements

Fusing arrangements for cable runs of more than 30 meters distance between source fusing and local means of isolation.



¹ Isolation may be provided by the use of solid links or fuses and may be placed on either side of the test terminal block. Where fuses are to be used, the additional burden shall be accounted for.

Note: The boundary between Meter Operator Equipment and the Transmission/Distribution System Operator is between the local means of isolation and the testing facilities.